

# WorksheetCloud.com - Question Sheet

**Subject:** Grade 9 Natural Sciences

**Topic:** Natural Sciences: Exam Term 4

**Total Marks:** 84

---

Question 1 refers to the following graphic



*Figure 1: Compression*

---

**Question 1: True/False [2]**

The type of force in the picture is **tension**, a type of contact force.

TRUE

FALSE

---

**Question 2: True/False [2]**

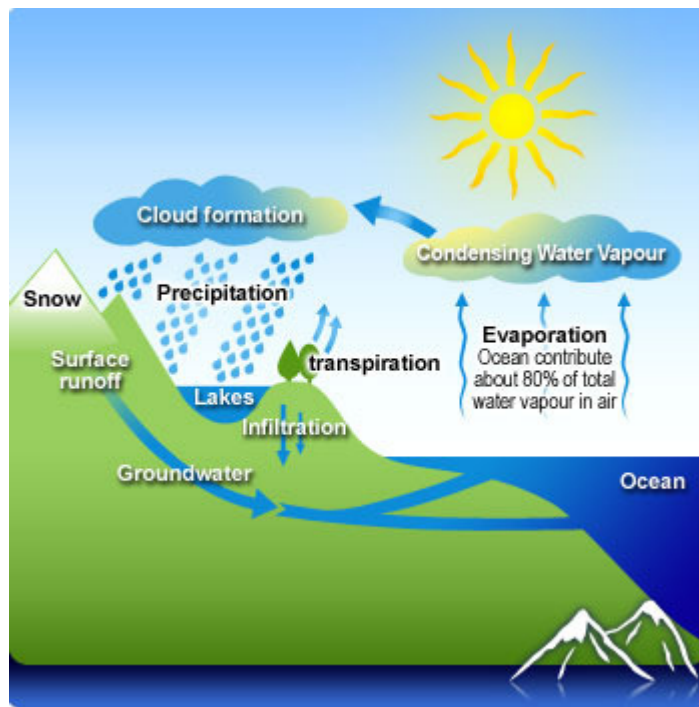
The longer the resistor connected in an electric circuit, the lower the resistance of the circuit.

TRUE

FALSE

---

Question 3 refers to the following graphic



*Figure 2: Transpiration*

---

**Question 3: True/False [2]**

Study the diagram carefully.

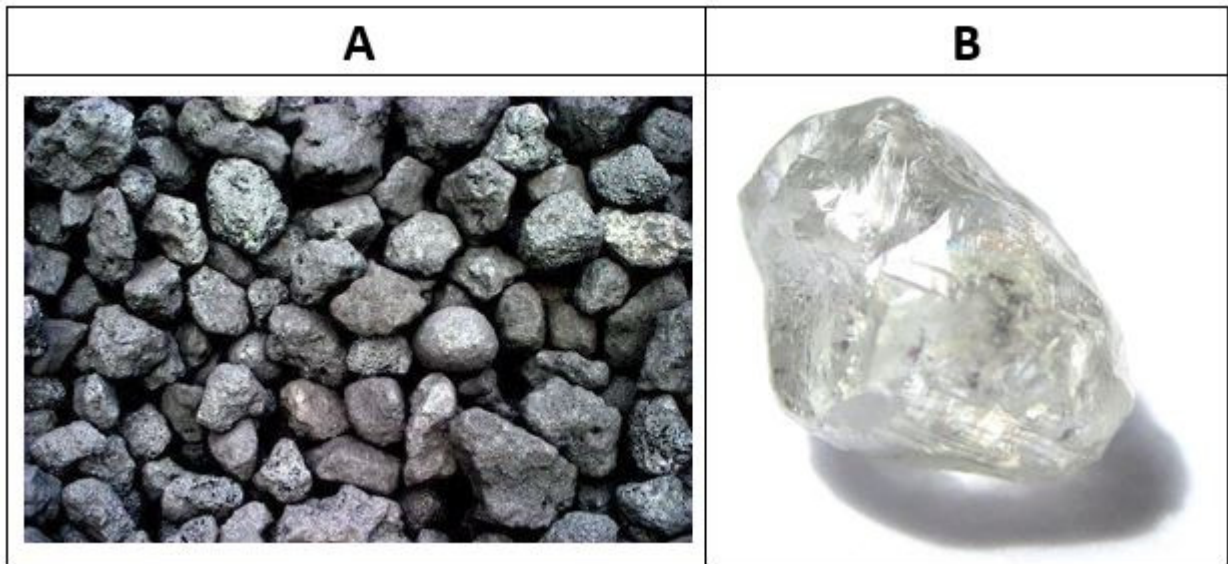
One of the ways in which water gets into the air is precipitation.

**TRUE**

**FALSE**

---

*Question 4 refers to the following graphic*



*Figure 3: Coke Diamond*

**Question 4: True/False [2]**

Study the diagram carefully.

Picture A is coke (fuel) and picture B is a polished version of coke (fuel).

TRUE	FALSE
------	-------

**Question 5: True/False [2]**

Gravitational contraction starts to form a protostar.

TRUE	FALSE
------	-------

Questions 6 to 7 refer to the following graphic



*Figure 4: Q13 Shooting star Meteor*

**Question 6: True/False [2]**

A shooting star is a star that has died and has fallen from the sky.

TRUE	FALSE
------	-------

**Question 7: Write Your Answer [3]**

In which layer of the atmosphere do we see 'shooting stars'?

Just write the name of the layer (one word only).




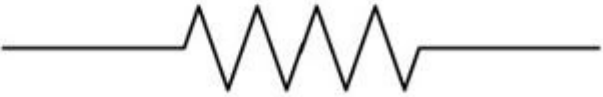

**Question 8: Multiple Choice [4]**

Which of the following are possible **effects of a force**?

- A) Force can cause a stationary object to move and to accelerate.
- B) Force can change the shape of an object.
- C) Force can change someone's mind to make them understand differently.
- D) Force can stop or slow down a moving object.

- A** A, B and C
- B** A, B and D
- C** B, C and D
- D** All of the above

Question 9 refers to the following graphic

	
	<b>Symbol</b>
<b>A</b>	
<b>B</b>	
<b>C</b>	
<b>D</b>	

*Figure 5: resistor MCQ*

---

**Question 9: Multiple Choice [4]**

Study the diagram.

Which of these circuit symbols can be used to indicate a **resistor**?

**A** A

**B** B

**C** C

**D** D

---

**Question 10: Multiple Choice [4]**

The visible layers in **sedimentary rock** is known as ...

**A** lines

**B** strata

**C** sediments

**D** pressure

---

**Question 11: Multiple Choice [4]**

Which of the following is NOT a way to extract gold from the Earth's crust?

**A** panning

**B** chemical process

**C** dredging

**D** hard rock mining

---

**Question 12: Multiple Choice [4]**

Which fruit can be used as a source of energy?

**A** orange

**B** lemon

**C** apple

**D** peach

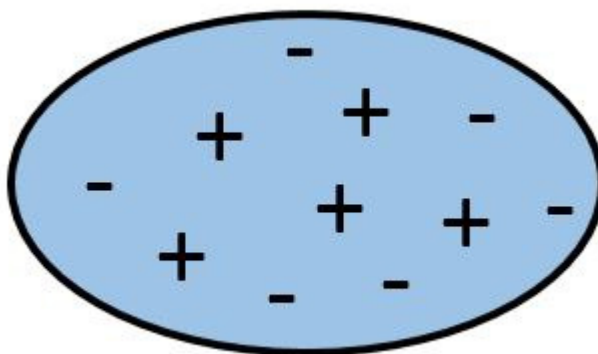
---

**Question 13: Multiple Choice [4]**

Which of the following is correct about the **thermosphere**?

- A** Temperatures are about  $-90^{\circ}\text{C}$ .
  - B** It contains nearly all the water vapour and dust in the atmosphere.
  - C** The thermopause is the boundary between the thermosphere and outer space.
  - D** It reflects radio waves from Earth back to Earth for TV and radio broadcasts.
- 

Question 14 refers to the following graphic



*Figure 6: atom*

---

**Question 14: Write Your Answer [3]**

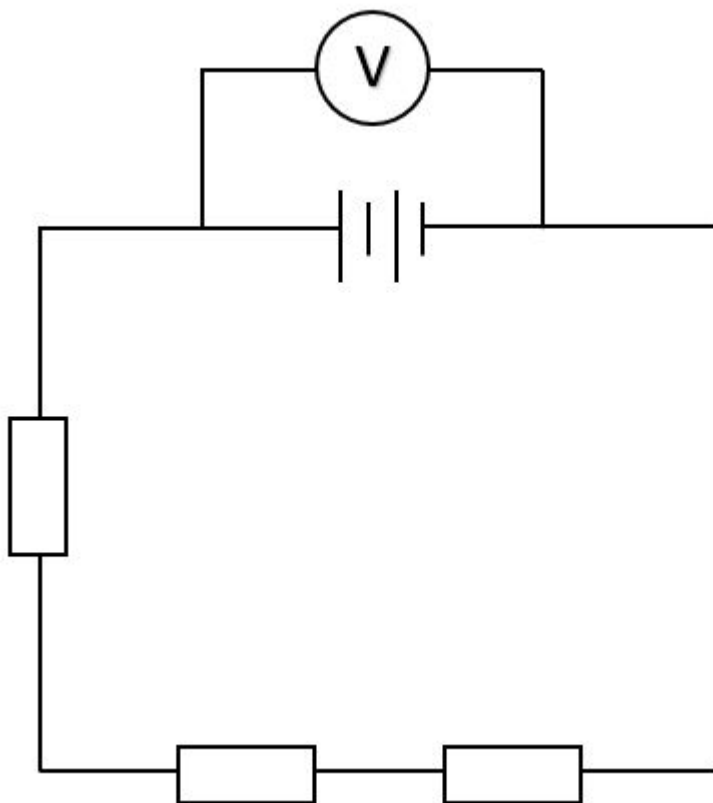
Study the picture.

Determine the overall charge of the object.

State whether it is **positively charged, negatively charged or neutral**.

---

Question 15 refers to the following graphic



*Figure 7: SeriesParallel01*

---

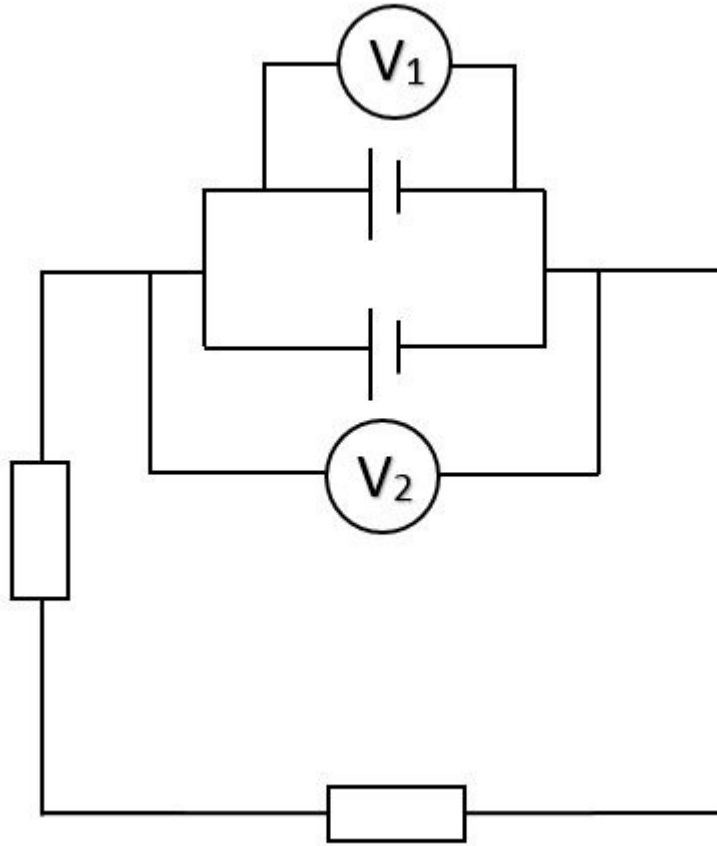
**Question 15: Write Your Answer [3]**

Complete the following sentence. Your answer must be one word only.

**A circuit where there is only one pathway for the current to flow through is called a ... circuit.**

---

*Question 16 refers to the following graphic*



*Figure 8: 16a*

**Question 16: Write Your Answer [3]**

You've connected 2 x 1,5V cells and 2 lights in a circuit in the following way as shown in the diagram.

A voltmeter is connected over one cell. What is the reading on  $V_1$ ?

**Question 17: Write Your Answer [3]**

Name two important gases in the atmosphere which are essential for sustaining life.

Separate your answers with the conjunction 'and'.

**Question 18: Write Your Answer [3]**

Piles of loose waste material produced from mining and dumped on the land in large heaps is called ...

Use only two words for your answer.

**Question 19: Write Your Answer [3]**

What is the unit of measurement used to measure the distance to the stars and other objects beyond the solar system?

Use only two words as your answer.



---

**Question 20: Write Your Answer [3]**

When two or more cells are connected, it is called a ... .

Use only one word as your answer.

--

---

**Question 21: Fill In The Blanks [4]**

Provide two examples of field forces in alphabetical order:

There is (1) and (2) .

<b>1</b>	
----------	--

<b>2</b>	
----------	--

▶ electrostatic force

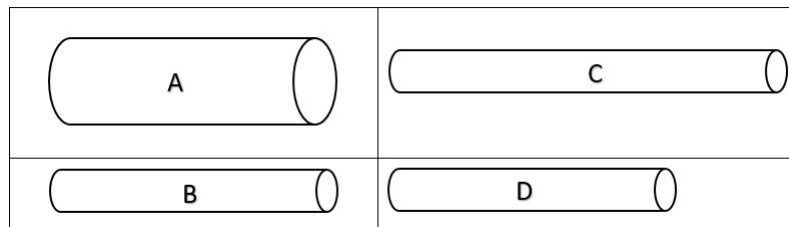
▶ compression force

▶ magnetic force

▶ friction force

---

Question 22 refers to the following graphic



*Figure 9: Length & Thickness*

---

**Question 22: Fill In The Blanks [8]**

Study the table and compare Wire A to Wire B, and Wire C to Wire D, and then complete the following paragraph.

Wire A will have (1) resistance than Wire B, owing to the (2) of the wire.

Wire C will have (1) resistance than Wire D, owing to the (2) of the wire.

<b>1</b>	
----------	--

<b>2</b>	
----------	--

<b>3</b>	
----------	--

<b>4</b>	
----------	--

▶ temperature

▶ length

▶ thickness

▶ type of material

▶ more

▶ less

▶ constant

---

**Question 23: Fill In The Blanks [4]**

Igneous rocks:

When pools of magma cool down slowly, it forms (1) , but when lava cools down rapidly, it forms (2) .

<b>1</b>		<b>2</b>	
----------	--	----------	--

▶ graphite

▶ shale

▶ sandstone

▶ pumice stone

---

**Question 24: Fill In The Blanks [4]**

When cells are connected in series, the voltage of the battery (1) .

When cells are connected in parallel, the voltage of the battery (2) .

<b>1</b>		<b>2</b>	
----------	--	----------	--

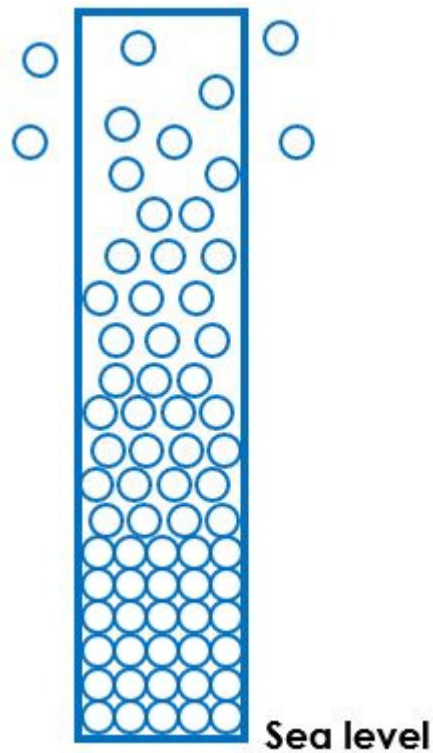
▶ decreases due to a longer pathway    ▶ increases

▶ is the same as the voltage of each cell

▶ decreases

---

Question 25 refers to the following graphic



*Figure 10: Q07 Atmospheric pressure*

---

**Question 25: Fill In The Blanks [4]**

The atmosphere is held around the Earth by gravity.

Study the diagram of atmospheric pressure carefully.

The atmospheric pressure (1) as you move higher above sea level. This makes it (2) difficult to breathe at higher altitudes.

<b>1</b>	
----------	--

<b>2</b>	
----------	--

▶ increases

▶ decreases

▶ more

▶ less

---

25 Questions, 11 Pages