



Subject: Grade 6 Natural Sciences
Topic: Natural Science: Exam Term 2
Total: 106 Marks

Name: _____

Date: _____

Question 1: True/False

2 marks

Vitamins A, D, E and K are fat soluble.

TRUE

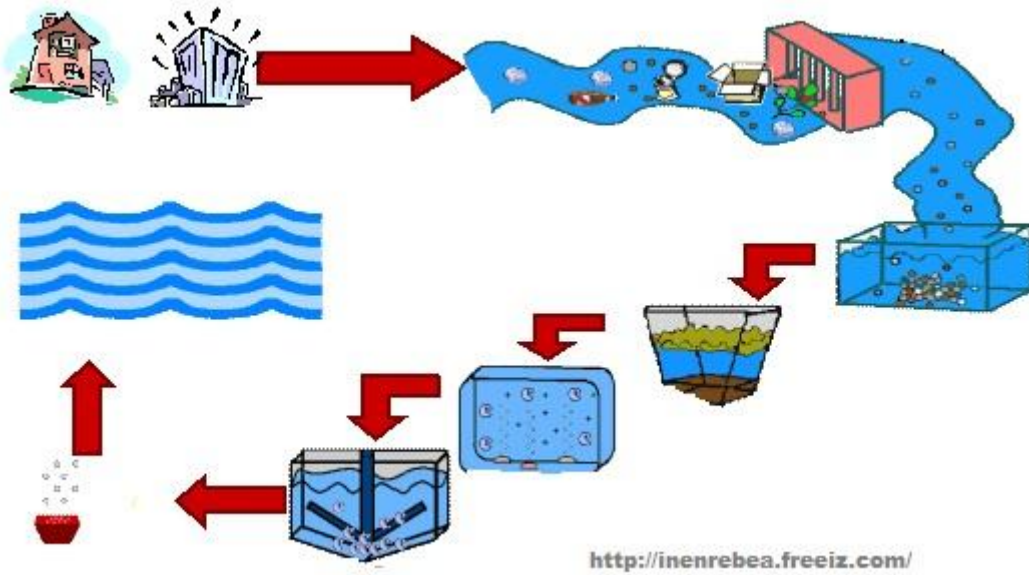
FALSE

Question 2: Text Input

3 marks

Substance **A** can be poured and it has very large spaces between its particles. Substance **A** is in the ... state.

This image refers to question: 3



Question 3: Please Fill In The Blanks

6 marks

In the treatment plant, the second stage is called " settling ".

This is when the (1) water stands in the settling tank, the medium-sized pieces of (2) matter (called sludge) sink to the bottom of the tank. The water at the top is still (3) but now it only contains small pieces of whole matter.

Possible Answers: solid | dissolved | soluble | settled | purified | clean | raw | dirty

1	
3	

2	
----------	--

Question 4: Please Fill In The Blanks

6 marks

I want to make a cup of hot chocolate. The chocolate powder is my (1) . The hot water is my (2) . When I mix them together I have created a (3) .

Possible Answers: solution | solvent | solute

1	
3	

2	
----------	--

Question 5: Please Fill In The Blanks

4 marks

Once a seed has germinated, first the (1) and then the (2) appears.

Possible Answers: radicle | leaves | root hairs | plumule

1	
----------	--

2	
----------	--

Question 6: Text Input

3 marks

We use the chemical ... to test for starch.

--

Question 7: Multiple Choice

4 marks

To test whether fruit and vegetables contain sugar, the following must be added to certain solutions

- | | |
|----------|-----------------------------|
| A | iodine |
| B | Fehling's A and Fehling's B |
| C | lime water |
| D | Millon's reagent |

Question 8: Text Input

3 marks

The process of cleaning the water before it reaches our home takes place at a water ... plant.

--

Question 9: True/False

2 marks

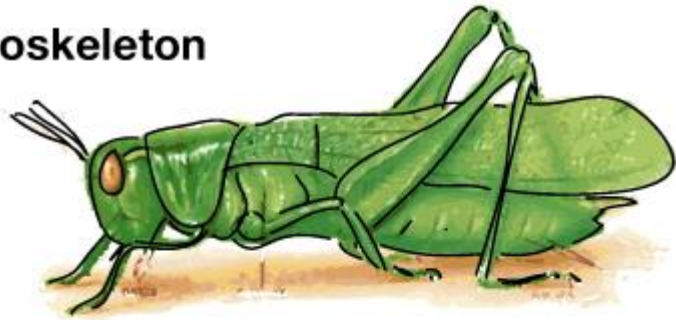
When a solid is heated the particles move faster.

TRUE

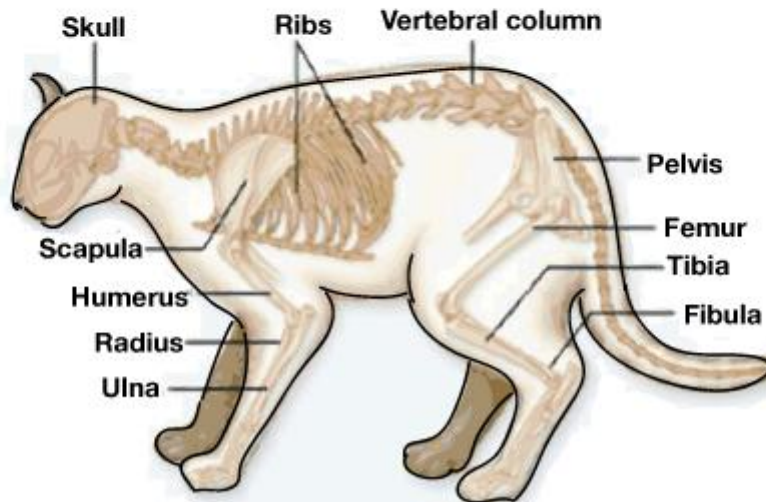
FALSE

This image refers to question: 10

Exoskeleton



Endoskeleton



Question 10: Please Fill In The Blanks

4 marks

An endoskeleton is found (1) a human or animal, while an exoskeleton is found on the (2) .

Possible Answers: outside | inside | around

1	
---	--

2	
---	--

Question 11: Multiple Choice

4 marks

When a substance cannot dissolve in water, we say that it is ...

- | | |
|---|-------------|
| A | soluble |
| B | insoluble |
| C | saturated |
| D | unsaturated |

Question 12: Please Fill In The Blanks

4 marks

The part of the plant where photosynthesis takes place is the (1) . During this process the (2) absorbs energy from the Sun.

Possible Answers: root | leaf | stem | branch | flower

1	
----------	--

2	
----------	--

Question 13: Multiple Choice

4 marks

The solvent for nail polish is

- A. acetone
- B. ethyl acetate
- C. water

A
B
C
D

A only

C only

A and B

B and C

Question 14: Text Input

3 marks

The products of photosynthesis are glucose sugar and

--

Question 15: Multiple Choice

4 marks

Fluoride helps prevent

A
B
C
D

anorexia

rickets

obesity

tooth decay

Question 16: Multiple Choice

4 marks

Equal amounts of which of the following will provide the greatest amount of energy?

- | | |
|----------|-------------|
| A | sardines |
| B | cooking oil |
| C | celery |
| D | lettuce |
-

Question 17: True/False

2 marks

Photosynthesis takes place in the leaves of green plants.

- | | |
|-------------|--------------|
| TRUE | FALSE |
|-------------|--------------|
-

Question 18: Text Input

3 marks

If a solution is ... then it is possible to dissolve more solute in the solvent.

Question 19: Text Input

3 marks

The particles of substance **A** only vibrate. This means that substance **A** is in the ... state.

Question 20: Please Fill In The Blanks

4 marks

Iron is a (1) and Thiamine is a (2) .

Possible Answers: fat | mineral | vitamin | carbohydrate

1	<input type="text"/>	2	<input type="text"/>
----------	----------------------	----------	----------------------

Question 21: Multiple Choice

4 marks

Jason has two closed containers, container A and container B. Each container has a certain substance. The containers are at room temperature. The particles of the substance in container A move around more than those in container B. The substance in container B is paraffin. It is most likely that container A contains ...

- | | |
|----------|-------------------------|
| A | water |
| B | carbon dioxide |
| C | water or carbon dioxide |
| D | plastic or water |
-

Question 22: True/False

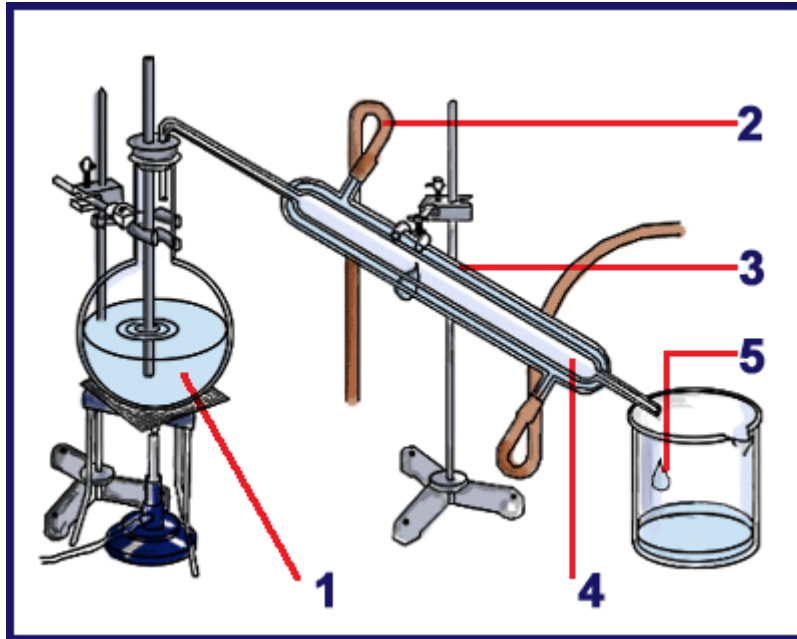
2 marks

Sulphur dissolves in water.

TRUE

FALSE

This image refers to question: 23



Question 23: Multiple Choice

4 marks

When seawater is boiled to form steam, and the steam is cooled and then condenses to make pure water, the process is known as ...

- | | |
|----------|--------------|
| A | distillation |
| B | decantation |
| C | evaporation |
| D | filtration |

Question 24: True/False

2 marks

Babies aren't born with knee caps.

TRUE

FALSE

This image refers to question: 25



Question 25: Please Fill In The Blanks

6 marks

Have you ever seen a sign like the one in the picture?

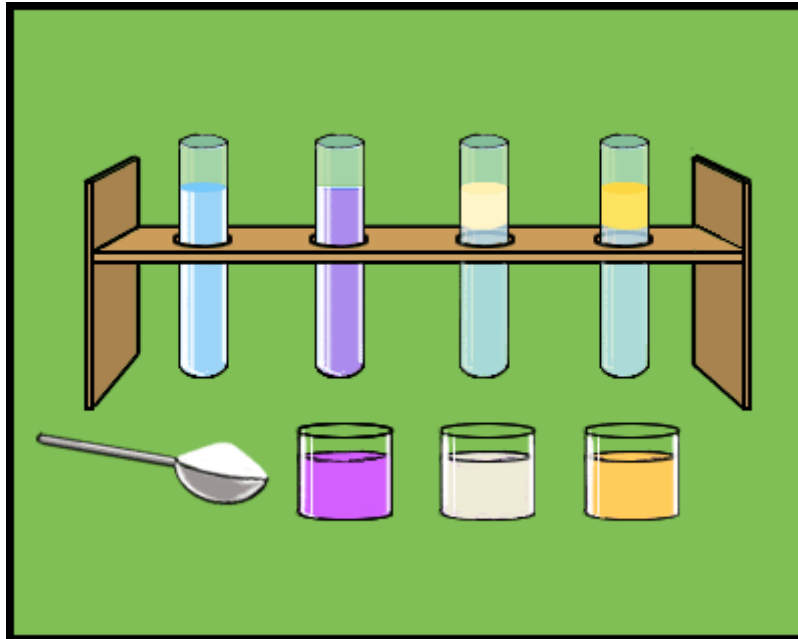
This sign is a warning that the water is not (1) and humans should not drink it. It is (2) for consumption and swimming, and could be (3) to your health.

Possible Answers: dangerous | purified | clean | clear | crystal clear | sandy | useful | unsafe

1	
3	

2	
----------	--

This image refers to question: 26



Question 26: Text Input

3 marks

Some substances cannot be ... in water. We say they are insoluble in water.

Question 27: True/False

2 marks

I mix salt and water together to make a salt water solution. The water acts as the solute.

TRUE

FALSE

This image refers to question: 28



Question 28: Multiple Choice

4 marks

To make a solute dissolve faster we can ...the solution.

- A. stir
- B. heat
- C. leave
- D. shake

A	A and D
B	A and B
C	A, B and D
D	B, C and D

Question 29: Please Fill In The Blanks

4 marks

When water contains a soluble substance, it is a (1) . If the substance is insoluble in the water, we have a (2) .

Possible Answers: atom | mixture | binding | solution

1	<input type="text"/>
----------	----------------------

2	<input type="text"/>
----------	----------------------

Question 30: Text Input

3 marks

The living part of a seed is called the

<input type="text"/>

Total: 106 Marks